

VP Water Gun



Victor Marine

Description

A powerful water gun and mounting tripod with low recoil for rapid cleaning of deck and bulk cargo holds. Suitable for use on a wide range of Bulk Carriers.



Key Features

- A novel hose nozzle, designed to project an otherwise poor water jet into a forceful effective water jet with the introduction of compressed air.
- Integral venturi introduction of air to increase water force and throw
- Ideally suited for low water pressure
- Maintenance free and ultra lightweight aluminium construction
- Aluminium Alloy (BS6082 HE30) Epoxy coated enamel construction

Technical Information

Jet Length	30m Maximum 20–25m Optimum
Operating Water Pressure	7 Bar Maximum 3-5 Bar Optimum
Water Consumption	12-18m ³ /hr
Operating Air Pressure	6-9 Bar
Air Consumption	3 m ³ /min
Max Operating temperature	75°C
Weight	10.5kg
Water Supply	2" BSP male
Air Supply	2 Lug EU "Q" type "claw" coupling or 1" BSP female



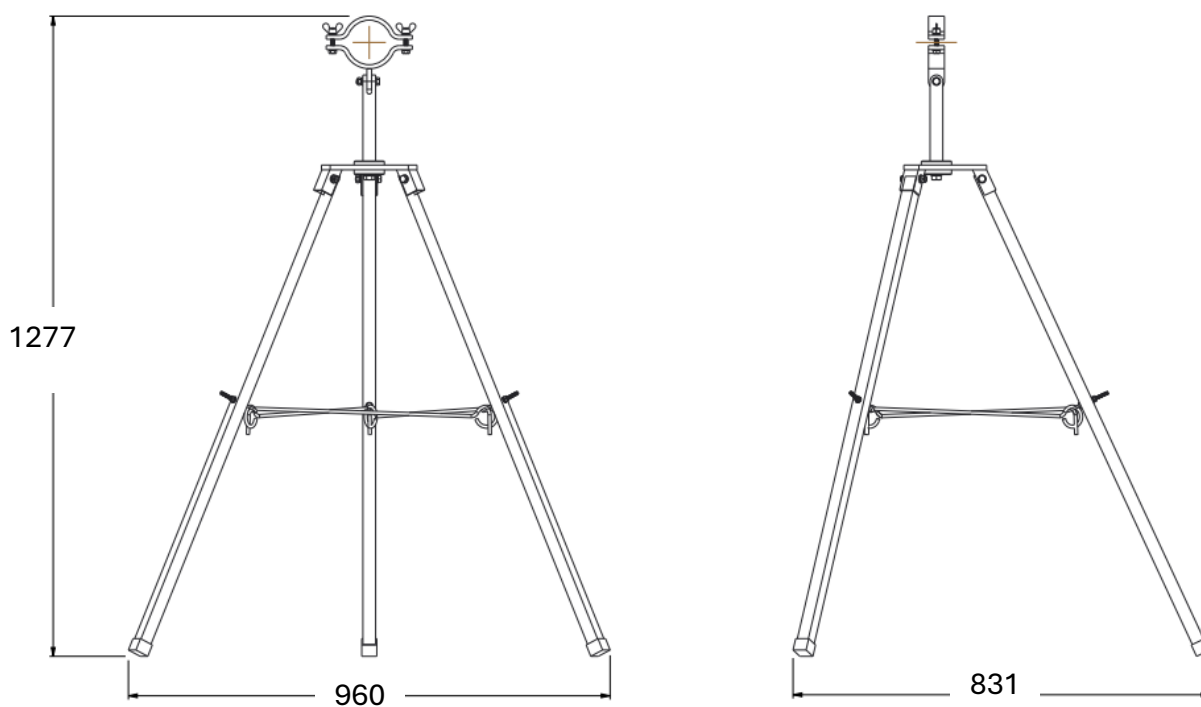
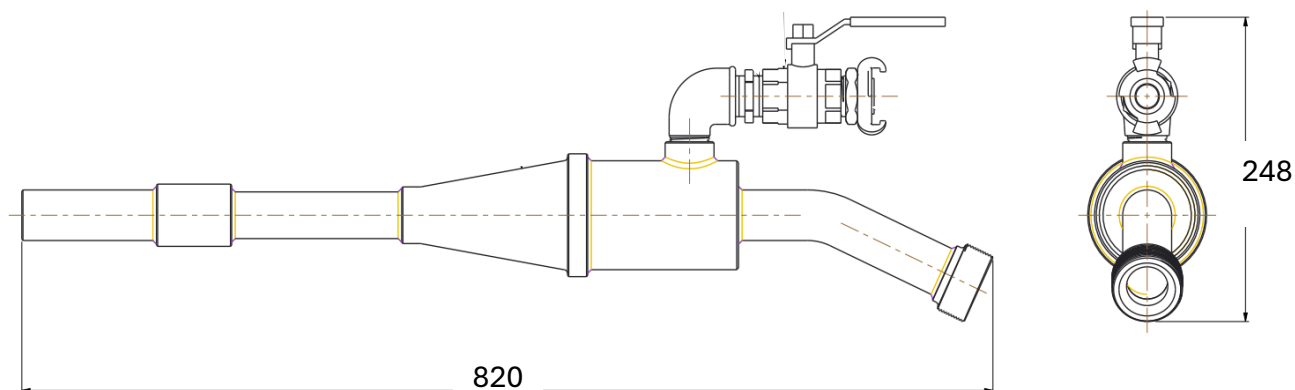
Globally focussed on cleaner solutions

VP Water Gun



Victor Marine

Product Dimensions



Victor Marine Limited, Unit 7, Waterloo Court, Markham Vale, Chesterfield, S44 5HN

T: +44 1708 899780

F: +44 1708 890599

W: www.victormarine.com

E: sales@victormarine.com